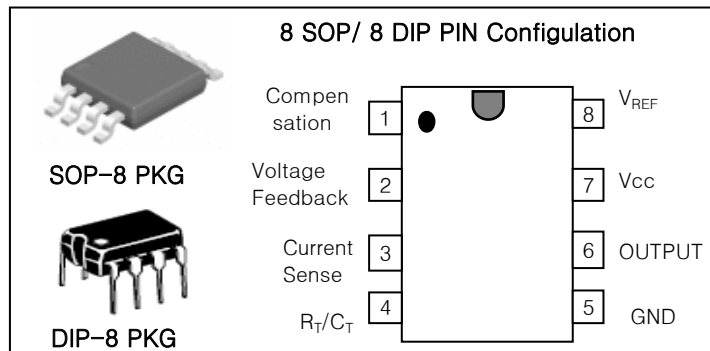


CURRENT MODE PWM CONTROLLER

LM3842A/3A/4A/5A

FEATURES

- Automatic feed forward compensation
- Optimized for offline converter
- Double pulse suppression
- Current mode operation to 500 KHz
- High gain totem pole output
- Internally trimmed bandgap reference
- Undervoltage lockout with hysteresis
- Low start up current : < 0.3 mA
- Moisture Sensitivity Level 3



ORDERING INFORMATION

Device	Package
LM3842A/3A/4A/5A D	8 SOP
LM3842A/3A/4A/5A N	8 DIP

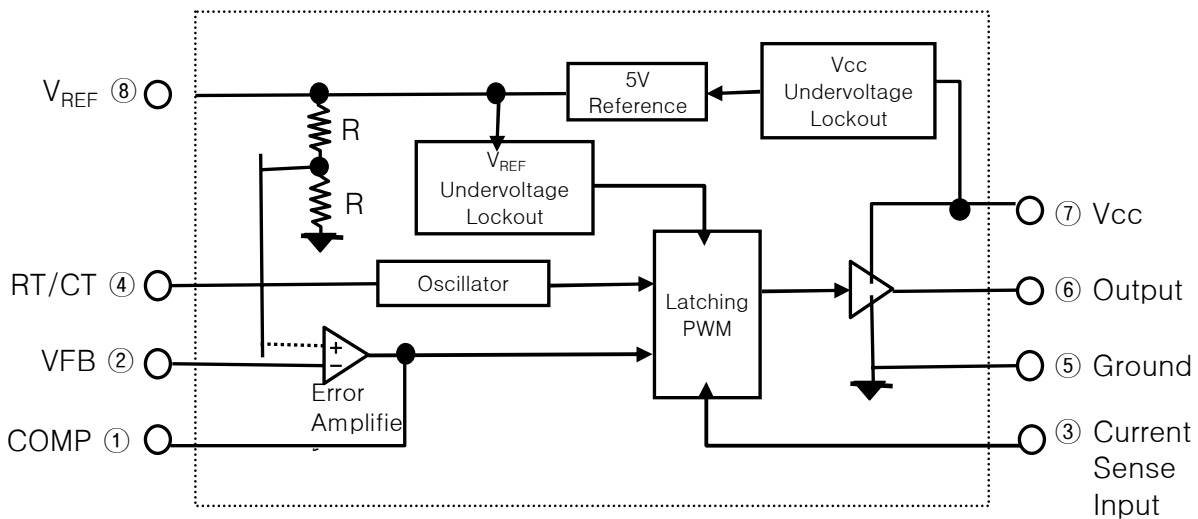
DESCRIPTION

The LM384xA are fixed frequency current-mode PWM controller. They are specially designed for Off-Line and DC-to-DC converter applications with minimal external components.

These integrated circuits features a trimmed oscillator for precise duty cycle control, a temperature compensated reference, high gain error amplifier, current sensing comparator, and a high current totempole output ideally suited for driving a power MOSFET.

Protection circuitry includes built in under-voltage lockout and current limiting.

SIMPLIFIED BLOCK DIAGRAM



ABSOLUTE MAXIMUM RATINGS (T_A = 25 °C)

Characteristic	Symbol	Value	Unit
Power Supply Voltage	V _{CC}	30	V
Output Current	I _O	± 1	A
Analog Inputes Voltage	V _{IN}	-0.3 to 5.5V	V
Error Amp Output Sink Current	I _{SINK}	10	mA
Power Dissipation	P _D	1	W
Storage Temperature Range	T _{stg}	-65 to 150	°C
Lead Temperature (soldering 5 sec)	T _L	260	°C

CURRENT MODE PWM CONTROLLER

LM3842A/3A/4A/5A

ELECTRICAL CHARACTERISTIC

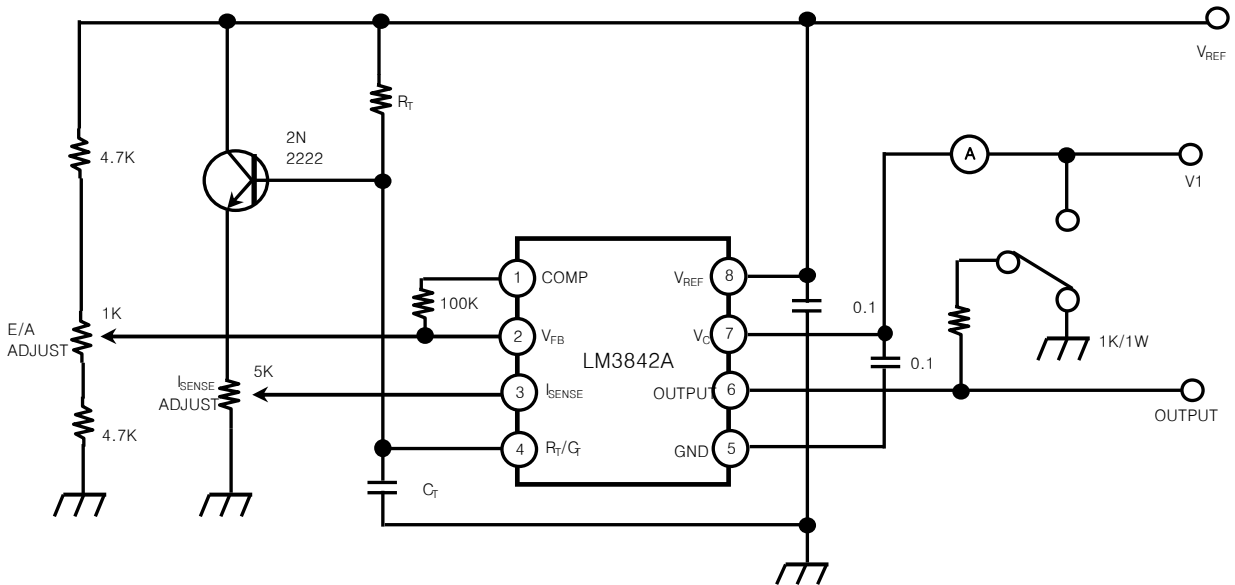
(V_{CC}=15V(Note 1), R_T = 10kΩ, C_T=3.3nF 0 ≤ T_A ≤ 70°C ; unless otherwise specified)

Characteristic	Symbol	Test Condition	Min	Typ	Max	Unit
REFERENCE SECTION						
Reference Output Voltage	V _{REF}	T _j = 25°C, I _O =1 mA	4.90	5.00	5.10	V
Line Regulation	V _O	12V ≤ V _{CC} ≤ 25V		2	20	mV
Load Regulation	V _O	1mA ≤ I _O ≤ 20mA		3	25	mV
Output Short Circuit Current	I _{SC}	T _A = 25°C		-85	-180	mA
OSCILLATOR SECTION						
Normal Frequency	F _{OSC}	T _j = 25°C	47	52	57	kHz
Voltage Stability	S _V	12V ≤ V _{CC} ≤ 25V		0.2	1	%
Amplitude	V _{OSC}			1.6		V _{p-p}
ERROR AMPLIFIER SECTION						
Input Bias Current	I _{IB}			-0.1	-2	μA
Feedback Input Voltage	V _{FB}	V _O =2.5V	2.42	2.50	2.58	V
Open Loop Voltage Gain	A _{VOL}	2V ≤ V _O ≤ 4V	65	90		dB
Power Supply Rejection Ratio	PSRR _{EA}	12V ≤ V _{CC} ≤ 25V	60	70		dB
Output Sink Current	I _{SI}	V _{FB} =2.7V, V _O = 1.1V	2	7		mA
Output source Current	I _{SO}	V _{FB} = 2.3V, V _O =5V	-0.5	-1.0		mA
Output Voltage High	V _{OH}	V _{FB} =2.7V, R _L =15kΩ to GND	5	6		V
Output Voltage Low	V _{OL}	V _{FB} =2.7V, R _L =15kΩ to V _{RGR}		0.8	1.1	V
CURRENT SENSE SECTION						
Input Voltage Gain	A _V	(Note 2 & 3)	2.85	3	3.15	V/V
Maximum Input Signal	V _{MAX}	V _O =5V (Note 2)	0.9	1	1.1	V
Power Supply Rejection Ratio	PSRR _{SC}	12V ≤ V _{CC} ≤ 25V		70		dB
Input Bias Current	I _{IB}			-3	-10	μA
OUTPUT SECTION						
Output Voltage Low	V _{OL}	I _{sink} = 20mA		0.1	0.4	V
		I _{sink} = 20mA		1.5	2.2	V
Output Voltage High	V _{OH}	I _{source} = 20mA	13	13.5		V
		I _{source} = 20mA	12	13.0		V
Rise Time	T _r	T _j = 25°C, C _L =1nF		45	150	nS
Fail Time	T _t	T _j = 25°C, C _L =1nF		35	150	nS
UNDERVOLTAGE LOCKOUT SECTION						
Start Threshold	V _{th}	3842A/3844A	14.5	16	17.5	V
		3843A/3845A	7.8	8.4	9	V
Minimum Operating Voltage (After Turn-on)	V _{CC(MIN)}	3842A/3844A	8.5	10	11.5	V
		3843A/3845A	7.0	7.6	8.2	V
PWM SECTION						
Maximum Duty Cycle	D _{max}	3842A/3843A	14.5	16	17.5	V
		3844A/3845A	7.8	8.4	9	V
TOTAL STANDBY CURRENT						
Start-up Current	I _{st}	V _{CC} =14V for 3842A/3844A		0.17	0.3	mA
		V _{CC} =6.5V for 3843A/3845A		0.17	0.3	mA
Operating Supply Current	I _{CC}	V _{pin2} =V _{pin3} =0V		14	17	mA
Zener Voltage	V _{IZ}	I _I = 25mA	30	38		V

- Note: 1. Adjust V_{CC} above the start threshold before setting at 15V.
 2. Parameter measured at trip point of latch with $V_{FB} = 0$.

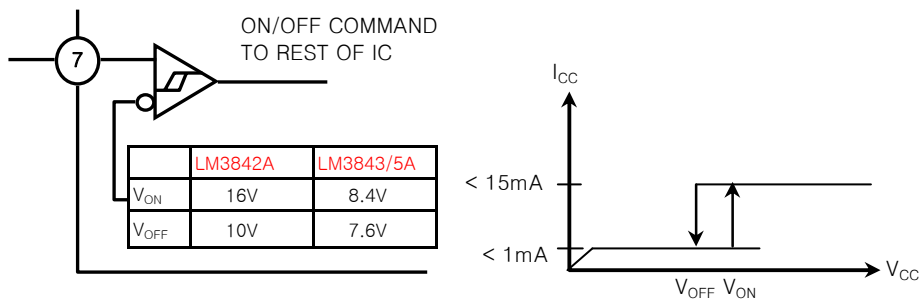
3. Comparator Gain defined as:
$$A = \frac{\Delta V \text{ Output Compensation (pin FB)}}{\Delta V \text{ Current Sense input (pin CS)}}$$
 ;

Fig.1 Open Loop Test Circuit



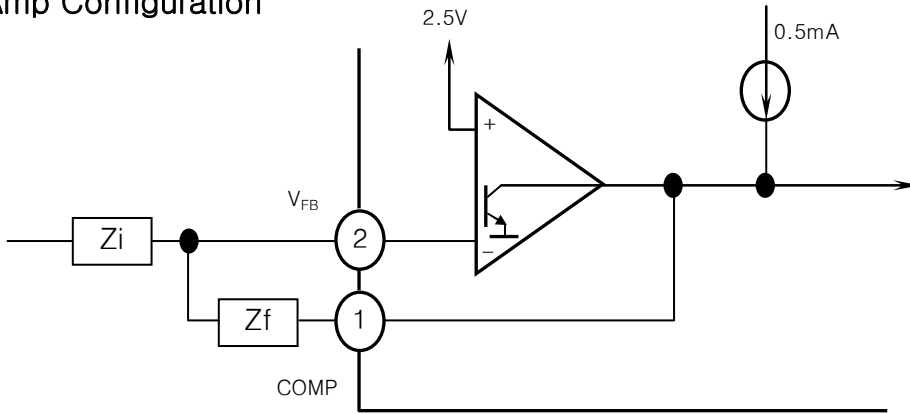
High peak currents associated with capacitive loads necessitate careful grounding techniques. Timing and bypass capacitors should be connected close to pin 5 in a single point ground. The transistor and 5KΩ potentiometer are used to sample the oscillator waveform and apply an adjustable ramp to pin 3.

Fig.2 Under Voltage Lockout



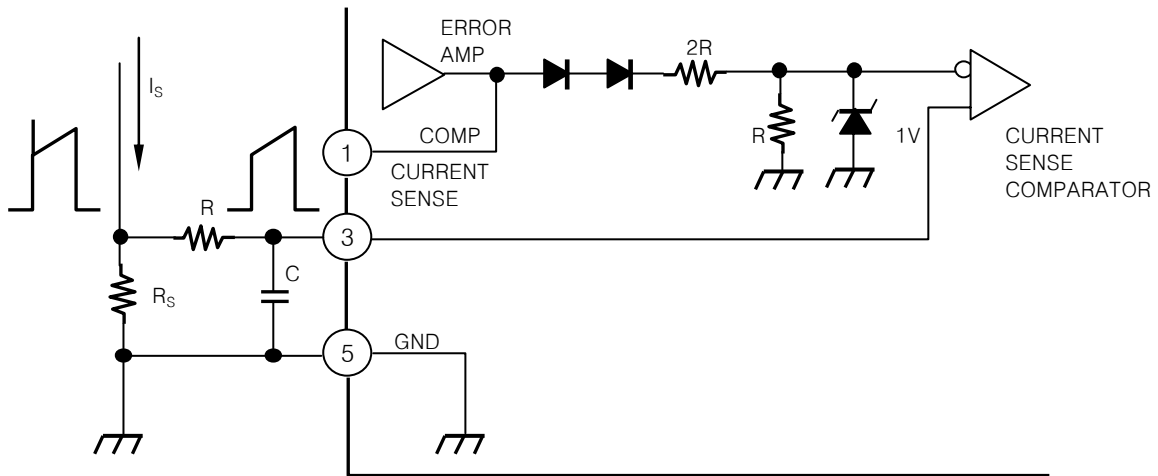
During Under-Voltage Lock-Out, the output driver is biased to a high impedance state. Pin 6 should be shunted to ground with a bleeder resistor to prevent activating the power switch with output leakage current.

Fig.3 Error Amp Configuration



Error amp can source or sink up to 0.5mA

Fig.4 Current Sense Circuit

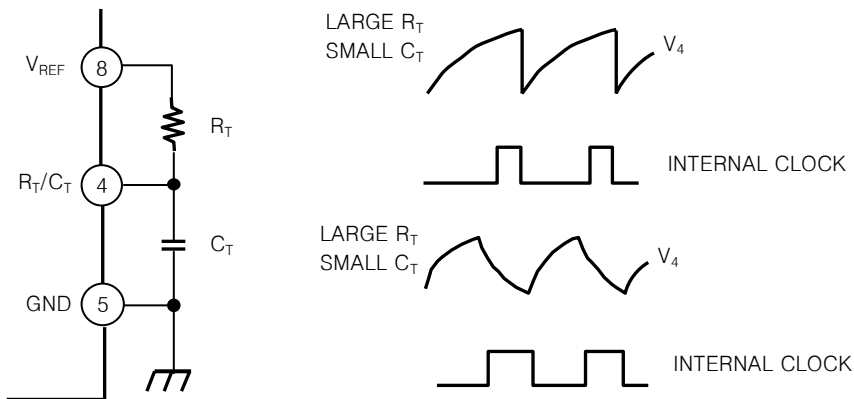


Peak current (I_S) is determined by the formula:

$$I_{S(MAX)} \sim \frac{1.0V}{R_S}$$

A small RC filter may be required to suppress switch transients.

Fig.5 Oscillator Waveforms and Maximum Duty Cycle



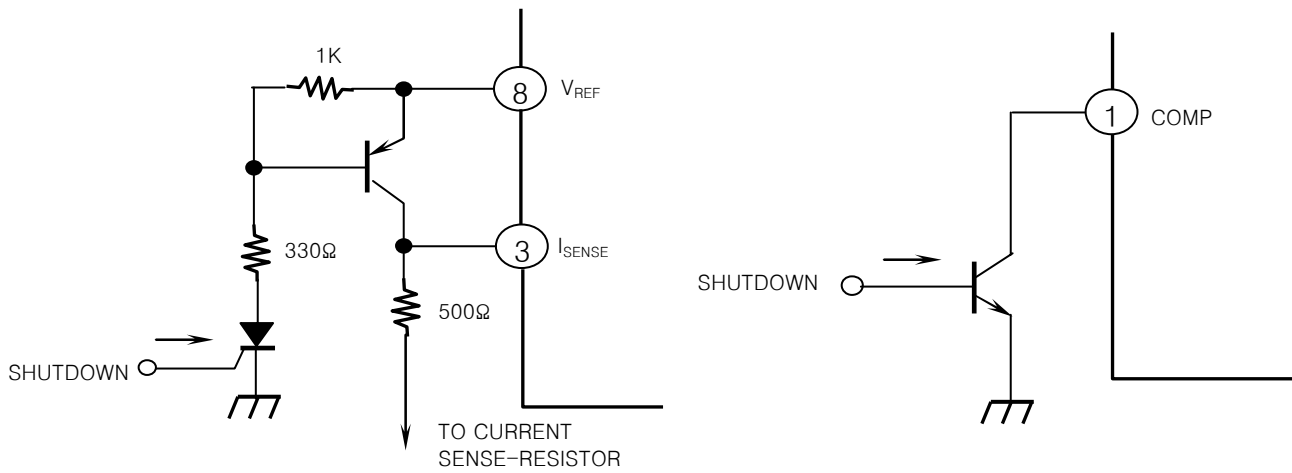
duty cycle. Charge and discharge times are determined by the formulas:
 $t_c \sim 0.55 R_T C_T$

$$t_d \sim R_T C_T \ln\left(\frac{0.0063 R_T - 2.7}{0.0063 R_T - 4}\right)$$

Frequency, then, is: $f = (t_c + t_d)^{-1}$

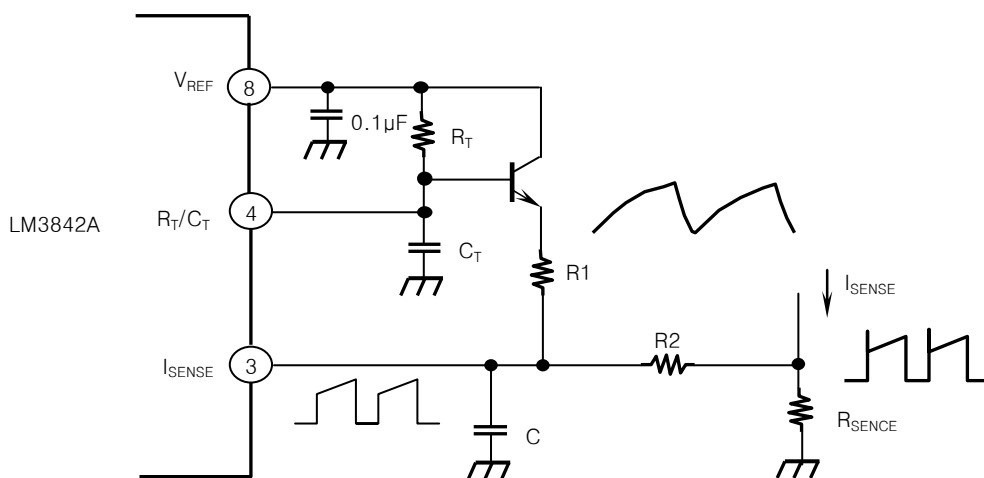
$$\text{For } R_T > 5K\Omega, f \approx \frac{1.8}{R_T C_T}$$

Fig.6 Shutdown Techniques



Shutdown of the LM3842A can be accomplished by two methods; either raise pin 3 above 1V or pull pin 1 below a voltage two diode drops above ground. Either method causes the output of the PWM comparator to be high (refer to block diagram). The PWM latch is reset dominant so that the output will remain low until the next clock cycle after the shutdown condition at pins 1 and/or 3 is removed. In one example, an externally latched shutdown may be accomplished by adding an SCR which will be reset by cycling VCC below the lower UVLO threshold. At this point the reference turns off, allowing the SCR to reset.

Fig.7 Slope Compensation



A fraction of the oscillator ramp can be resistively summed with the current sense signal to provide slope compensation for converters requiring duty cycles over 50%.

Note that capacitor, C, forms a filter with R2 to suppress the leading edge switch spikes.

Fig.1 Output Dead Time

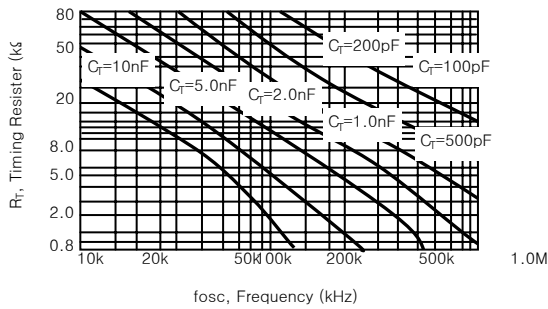


Fig.2 Timing Resistor vs Frequency

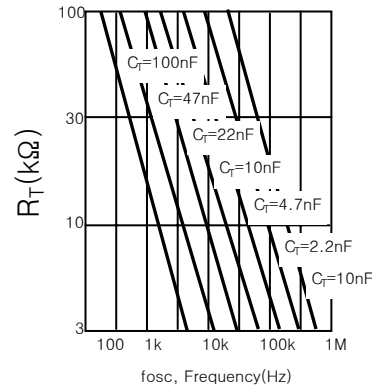


Fig.3 Output Saturation Characteristics

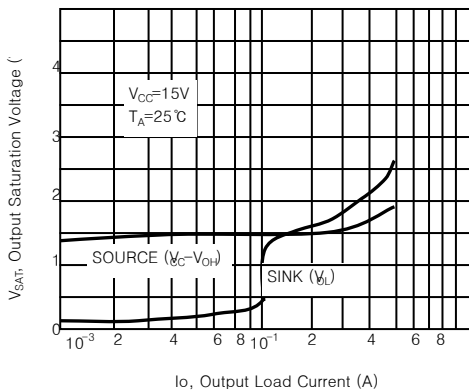
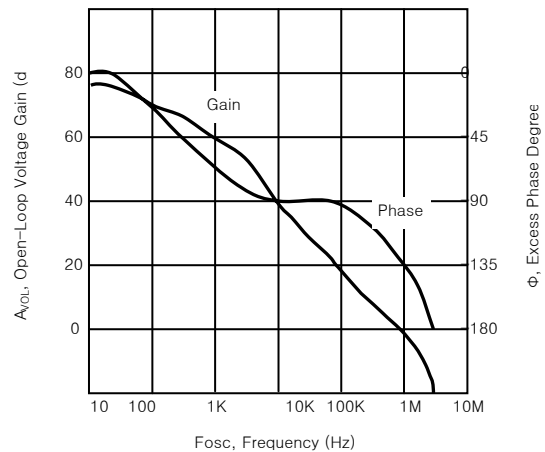


Fig.4 Error Amplifier Open Loop Gain and Phase Frequency



PIN FUNCTION DESCRIPTION

Pin No.	Function	Description
1	Compensation	This pin is the Error Amplifier output and is made available for loop compensation.
2	Voltage Feedback	This is the inverting input of the Error Amplifier. It is normally connected to the switching power supply output through a resistor divider.
3	Current Sense	A voltage proportional to inductor current is connected to this input. The PWM uses this information to terminate the output switch conduction.
4	R_T/C_T	The Oscillator frequency and maximum Output duty cycle are programmed by connecting resistor R_T to V_{REF} and capacitor C_T to ground. Operation to 500kHz is possible.
5	GND	This pin is the combined control circuitry and power ground.
6	Output	This output directly drives the gate of a power MOSFET. Peak currents up to 1.0A are sourced and sunk by this pin.
7	Vcc	This pin is the positive supply of the control IC.
8	V_{REF}	This is the reference output. It provides charging current for capacitor C_T through resistor R_T .